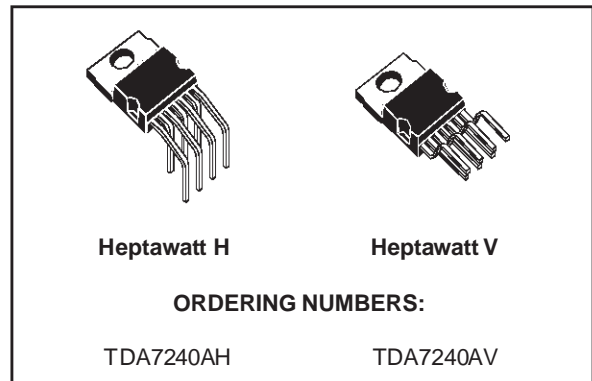


## 20W BRIDGE AMPLIFIER FOR CAR RADIO

- COMPACT HEPTAWATT PACKAGE
- FEW EXTERNAL COMPONENTS
- OUTPUT PROTECTED AGAINST SHORT CIRCUITS TO GROUND AND ACROSS LOAD
- DUMP TRANSIENT
- THERMAL SHUTDOWN
- LOUDSPEAKER PROTECTION
- HIGH CURRENT CAPABILITY
- LOW DISTORTION/LOW NOISE

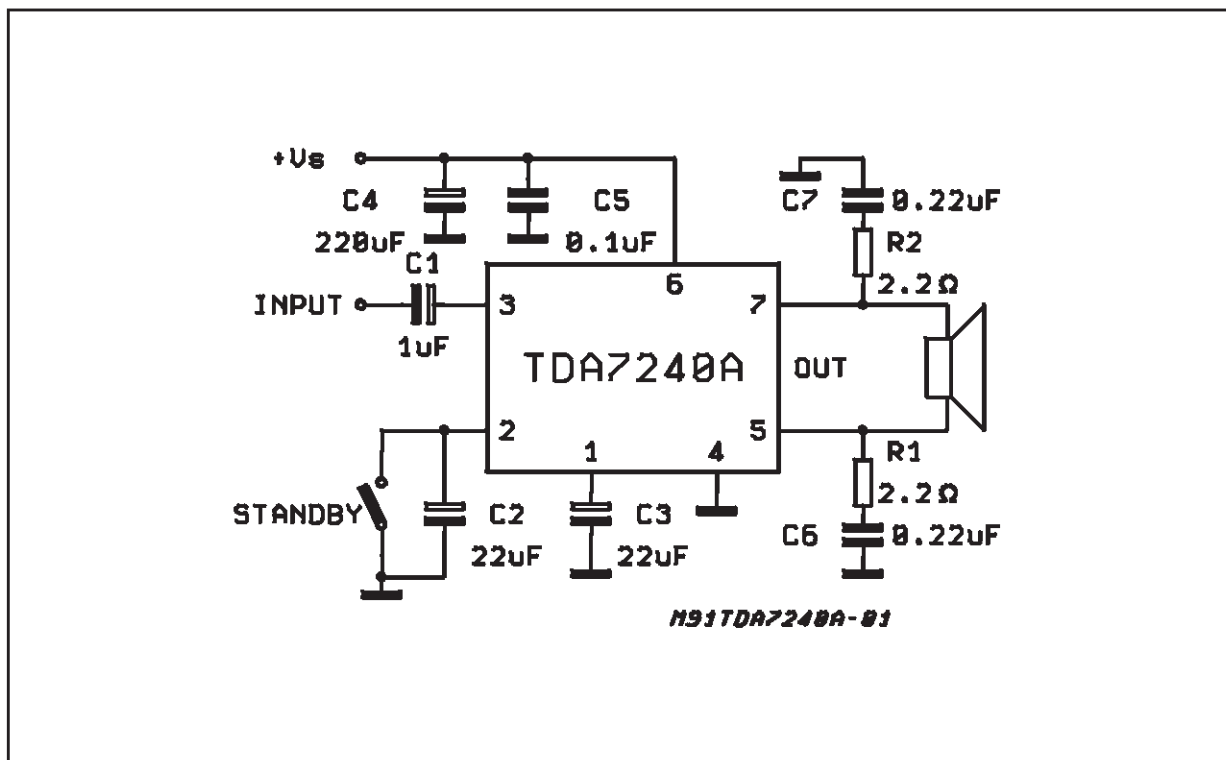


### DESCRIPTION

The TDA7240A is a 20W bridge audio amplifier IC designed specially for car radio applications. Thanks to the low external part count and compact Heptawatt 7-pin power package the TDA7240A occupies little space on the printed circuit board.

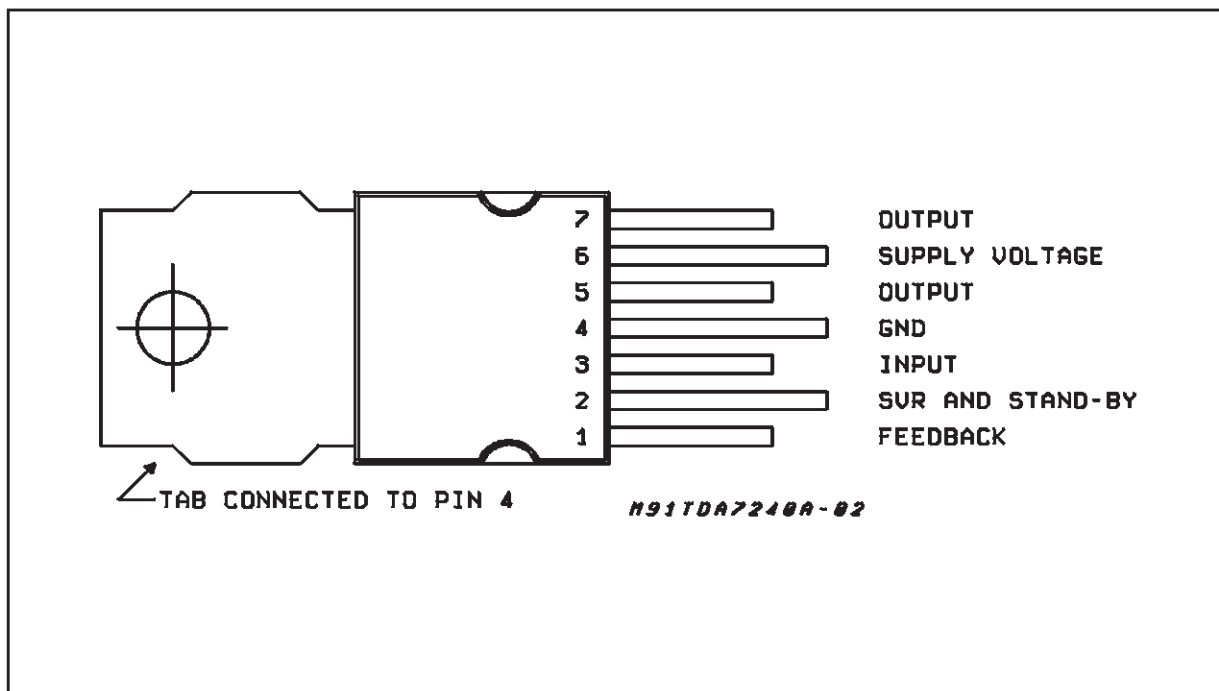
Reliable operation is guaranteed by a comprehensive array of on-chip protection features. These include protection against AC and DC output short circuits (to ground and across the load), load dump transients, and junction overtemperature. Additionally, the TDA7240A protects the loudspeaker when one output is short-circuited to ground.

**Figure 1:** Test and Application Circuit



## TDA7240A

### PIN CONNECTION (Top view)



### ABSOLUTE MAXIMUM RATINGS

Symbol	Parameter	Value	Unit
$V_s$	Operating Supply Voltage	18	V
$V_s$	DC Supply Voltage	28	V
$V_s$	Peak Supply Voltage (for 50ms)	40	V
$I_o$ (*)	Peak Output Current (non repetitive $t = 0.1\text{ms}$ )	4.5	A
$I_o$ (*)	Peak Output Current (repetitive $f \geq 10\text{Hz}$ )	3.5	A
$P_{tot}$	Power Dissipation at $T_{case} = 85^\circ\text{C}$	16	W
$T_{stg}, T_j$	Storage and Junction Temperature	-40 to 150	$^\circ\text{C}$

(\*) Internally limited

### THERMAL DATA

Symbol	Parameter	Value	Unit
$R_{thj-case}$	Thermal Resistance Junction-case	Max. 4	$^\circ\text{C/W}$

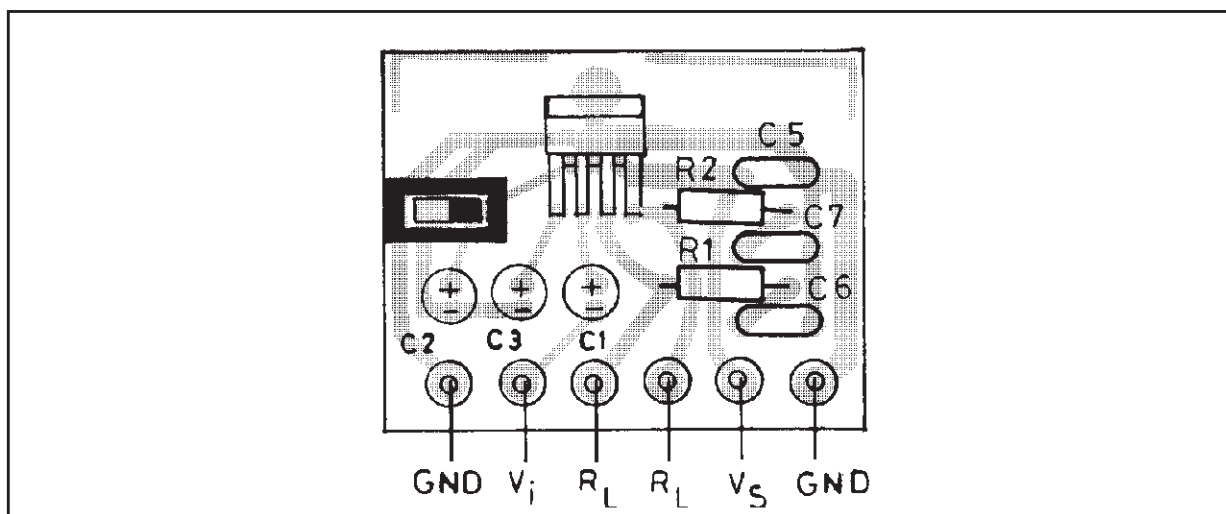
**ELECTRICAL CHARACTERISTICS** (refer to the circuit of fig. 1,  $T_{amb} = 25^{\circ}\text{C}$ ,  $R_{th}(\text{heatsink}) = 4^{\circ}\text{C/W}$ ,  $V_s = 14.4\text{V}$ )

Symbol	Parameter	Test Conditions	Min.	Typ.	Max.	Unit
$V_s$	Supply Voltage				18	V
$V_{os}$	Output Offset Voltage				150	mV
$I_d$	Total Quiescent Current	$R_L = 4\Omega$		65	120	mA
$P_o$	Output Power	$f = 1\text{kHz}; d = 10\%$ $R_L = 4\Omega$ $R_L = 8\Omega$	18 10	20 12		W W
d	Distortion	$R_L = 4\Omega$ $P_o = 50\text{mW to } 12\text{W}$ $f = 1\text{kHz}$		0.1	0.5	%
		$R_L = 8\Omega$ $P_o = 50\text{mW to } 12\text{W}$ $f = 1\text{kHz}$		0.05	0.5	%
GV	Voltage Gain	$f = 1\text{KHz}$	39.5	40	40.5	dB
SVR	Supply Voltage Rejection	$f = 100\text{Hz}$ $R_g = 10\text{K}\Omega$	35	40		dB
$E_N$	Total Input Noise	$R_g = 10\text{K}\Omega$  (*) (**)		2 3	10	$\mu\text{V}$ $\mu\text{V}$
$\eta$	Efficiency	$R_L = 4\Omega$ $f = 1\text{KHz}$		65		%
$I_{sb}$	Stand-by Current			200		$\mu\text{A}$
$R_i$	Input Resistance	$f = 1\text{kHz}$	70			$\text{k}\Omega$
$V_i$	Input Sensitivity	$f = 1\text{kHz}; P_o = 2\text{W}; R_L = 4\Omega$		28		mV
$f_L$	Low Frequency Roll Off (-3dB)	$P_o = 15\text{W}; R_L = 4\Omega$			30	Hz
$f_H$	High Frequency Roll Off (-3dB)	$P_o = 15\text{W}; R_L = 4\Omega$	25			kHz
$A_s$	Stand-by Attenuation	$V_o = 2\text{Vrms}$	70	90		dB
$V_{TH}(\text{pin2})$	Stand-by Threshold				1	V

(\*) B= Curve A

(\*\*) B = 22Hz to 22 KHz

**Figure 2** : P.C. Board and Components layout of the Circuit of Fig. 1.(1:1 scale)



# TDA7240A

## APPLICATION SUGGESTION

The recommended values of the components are those shown on application circuit of Fig. 1. Different values can be used, the following table can help the designer.

Component	Recommended Value	Purpose	Larger Than	Smaller Than
R1, R2	2.2Ω	Frequency Stability	Danger of High Frequency Oscillation	
C1	1μF	Input DC Decoupling	Higher Turn On and Stand-by Delay	Higher Turn On Pop. Higher Low Frequency Cutoff
C2	22μF	Ripple Rejection	Increase of SVR Increase of the Turn On Delay	Degradation of SVR
C3	22μF	Feedback low Frequency Cutoff		Higher Low Frequency Cutoff
C6, C7	0.22μF	Frequency Stability		Danger of Oscillation
C4	220μF	Supply Filter		Danger of Oscillation
C5	0.1μF	Supply Bypass		Danger of Oscillation

Figure 3 : Output Power vs. Supply Voltage.

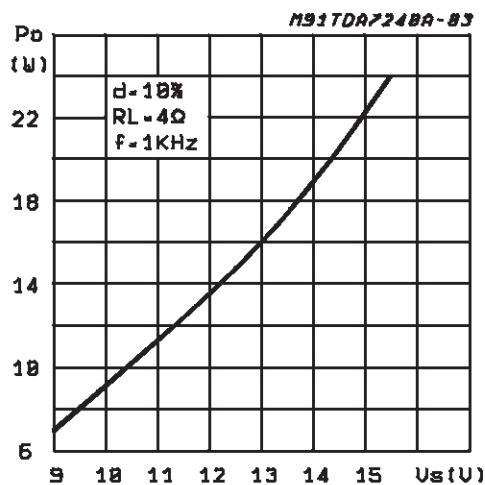


Figure 4 : Distortion vs. Output Power.

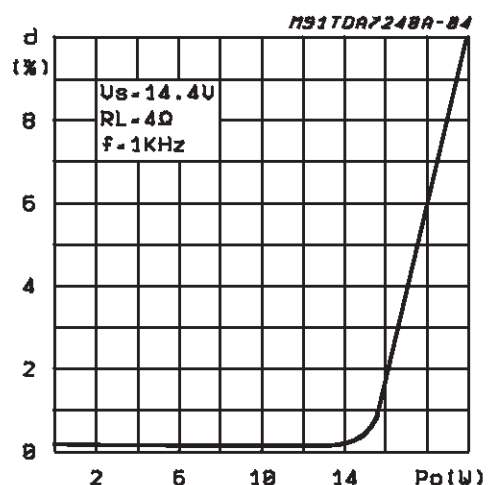


Figure 5 : Output Power vs. Supply voltage.

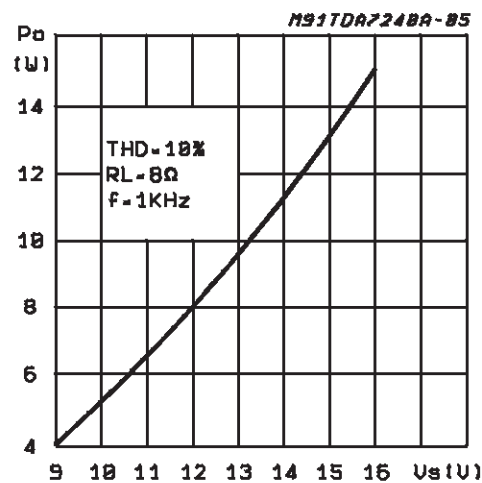


Figure 6 : Distortion vs. Output Power.

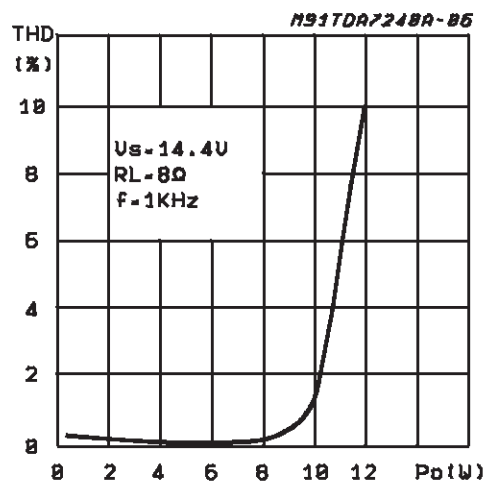


Figure 7 : Distortion vs. Frequency.

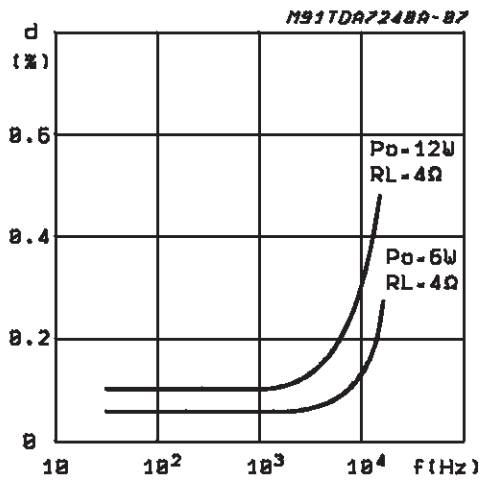


Figure 8 : Supply Voltage Rejection vs. Frequency.

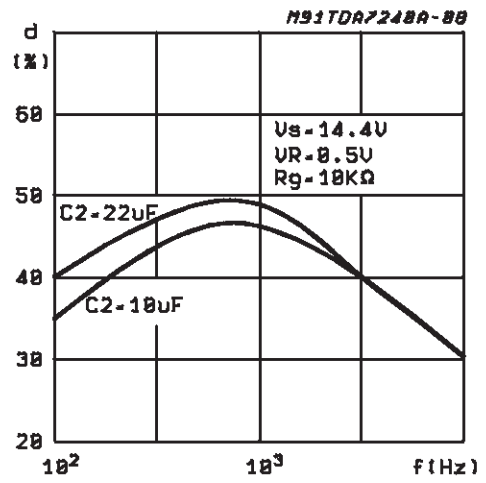


Figure 9 : Power Dissipation and Efficiency vs. Output Power.

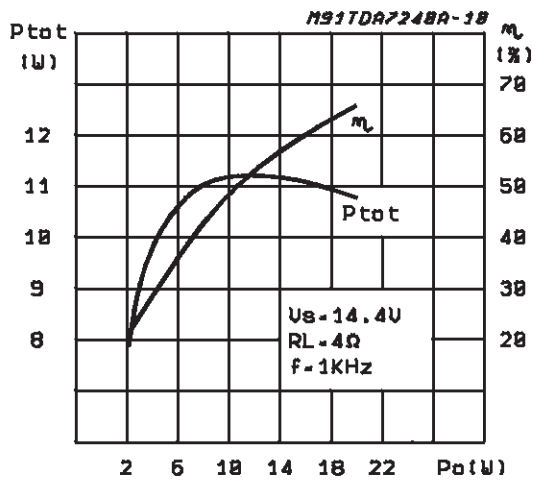
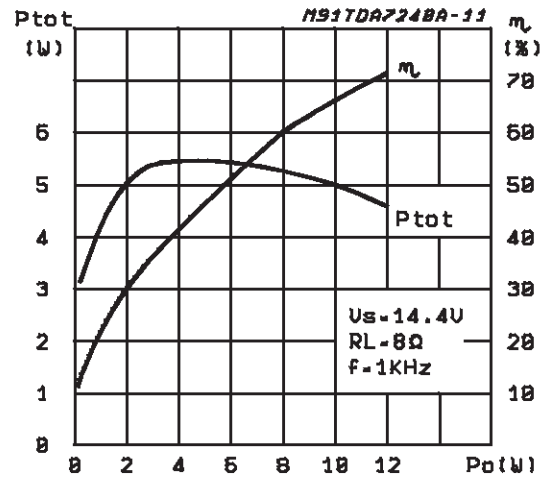


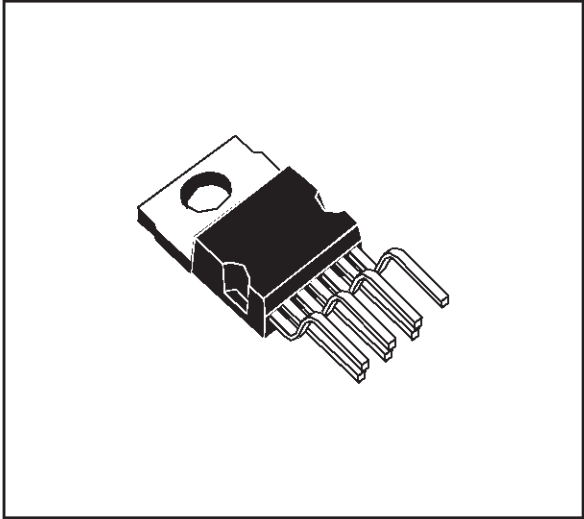
Figure 10 : Power Dissipation and Efficiency vs. Output Power.



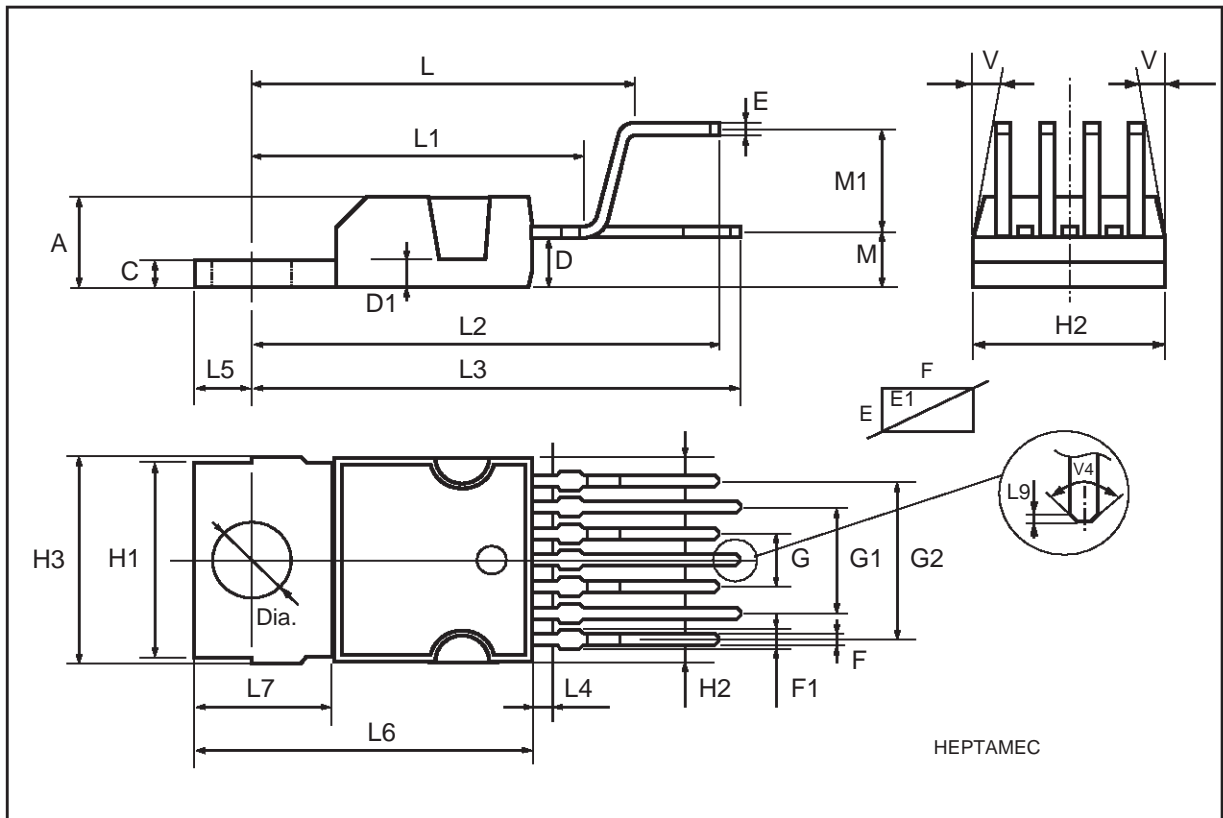
# TDA7240A

DIM.	mm			inch		
	MIN.	TYP.	MAX.	MIN.	TYP.	MAX.
A			4.8			0.189
C			1.37			0.054
D	2.4		2.8	0.094		0.110
D1	1.2		1.35	0.047		0.053
E	0.35		0.55	0.014		0.022
E1	0.7		0.97	0.028		0.038
F	0.6		0.8	0.024		0.031
F1			0.9			0.035
G	2.34	2.54	2.74	0.095	0.100	0.105
G1	4.88	5.08	5.28	0.193	0.200	0.205
G2	7.42	7.62	7.82	0.295	0.300	0.307
H2			10.4			0.409
H3	10.05		10.4	0.396		0.409
L	16.7	16.9	17.1	0.657	0.668	0.673
L1		14.92			0.587	
L2	21.24	21.54	21.84	0.386	0.848	0.860
L3	22.27	22.52	22.77	0.877	0.891	0.896
L4			1.29			0.051
L5	2.6	2.8	3	0.102	0.110	0.118
L6	15.1	15.5	15.8	0.594	0.610	0.622
L7	6	6.35	6.6	0.236	0.250	0.260
L9		0.2			0.008	
M	2.55	2.8	3.05	0.100	0.110	0.120
M1	4.83	5.08	5.33	0.190	0.200	0.210
V4	40° (typ.)					
Dia	3.65		3.85	0.144		0.152

## OUTLINE AND MECHANICAL DATA

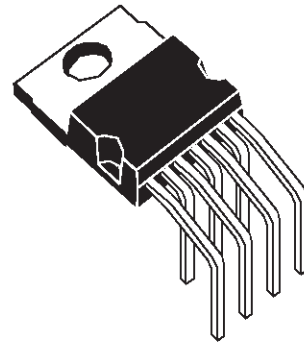


## Heptawatt V

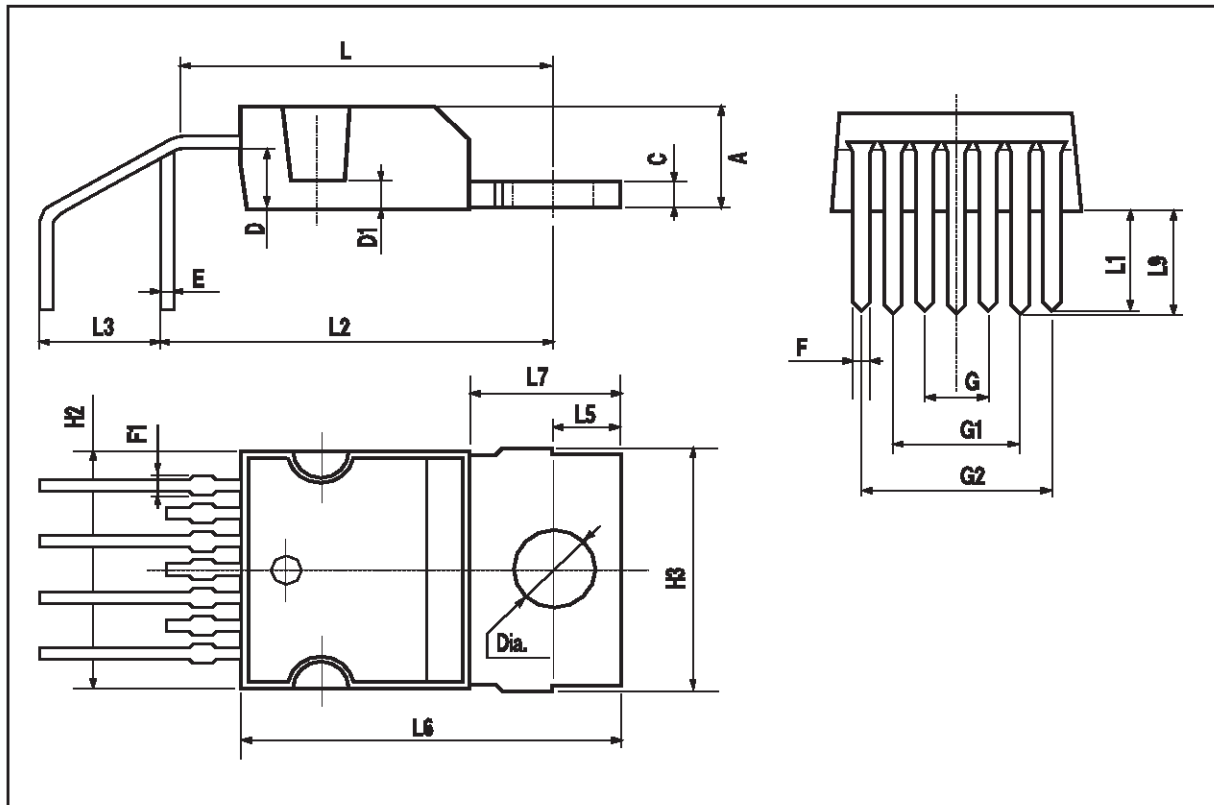


DIM.	mm			inch		
	MIN.	TYP.	MAX.	MIN.	TYP.	MAX.
A			4.8			0.189
C			1.37			0.054
D	2.4		2.8	0.094		0.110
D1	1.2		1.35	0.047		0.053
E	0.35		0.55	0.014		0.022
F	0.6		0.8	0.024		0.031
F1			0.9			0.035
G	2.41	2.54	2.67	0.095	0.100	0.105
G1	4.91	5.08	5.21	0.193	0.200	0.205
G2	7.49	7.62	7.8	0.295	0.300	0.307
H2			10.4			0.409
H3	10.05		10.4	0.396		0.409
L		14.2			0.559	
L1		4.4			0.173	
L2		15.8			0.622	
L3		5.1			0.201	
L5	2.6		3	0.102		0.118
L6	15.1		15.8	0.594		0.622
L7	6		6.6	0.236		0.260
L9		4.44			0.175	
Dia	3.65		3.85	0.144		0.152

**OUTLINE AND MECHANICAL DATA**



**Heptawatt H**



Information furnished is believed to be accurate and reliable. However, STMicroelectronics assumes no responsibility for the consequences of use of such information nor for any infringement of patents or other rights of third parties which may result from its use. No license is granted by implication or otherwise under any patent or patent rights of STMicroelectronics. Specification mentioned in this publication are subject to change without notice. This publication supersedes and replaces all information previously supplied. STMicroelectronics products are not authorized for use as critical components in life support devices or systems without express written approval of STMicroelectronics.

The ST logo is a registered trademark of STMicroelectronics  
HEPTAWATT™ is a Trademark of SGS-THOMSON Microelectronics  
© 1998 STMicroelectronics – Printed in Italy – All Rights Reserved  
STMicroelectronics GROUP OF COMPANIES

Australia - Brazil - Canada - China - France - Germany - Italy - Japan - Korea - Malaysia - Malta - Mexico - Morocco - The Netherlands - Singapore - Spain - Sweden - Switzerland - Taiwan - Thailand - United Kingdom - U.S.A.

<http://www.st.com>